

DIN-Based VectorPak™ Subracks

4HP Keyable Card Guides IEEE 1101.10



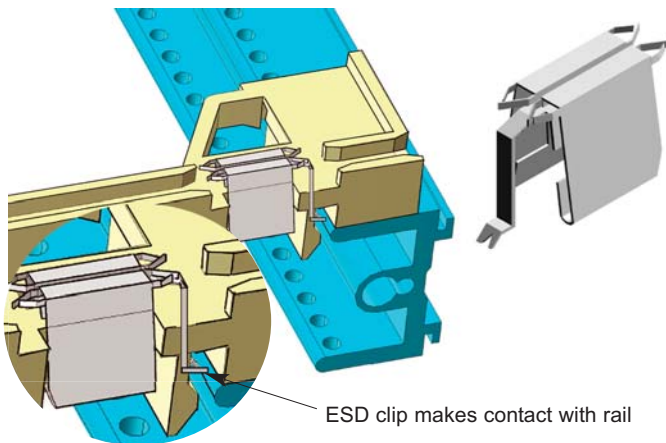
CG-3 Card Guide with ESD clip shown

P/N CG3-160 Grey Card Guide

VectorPak™ CG3-160 polycarbonate card guide for .062" to .090" thickness cards.

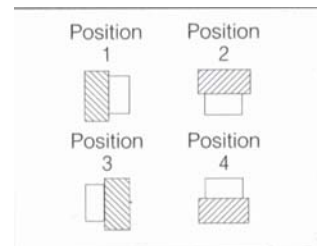
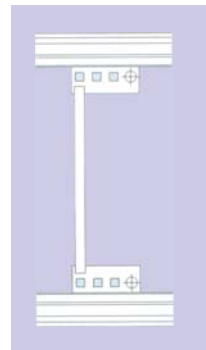


PCB ESD Contact for CG-3 Card Guides P/N CG3-ESD/12



ESD clip makes contact with rail

Electrostatic discharge clips (ESD) for VectorPak™ CG3-Series card guides will provide permanent ES discharge of the PCB before contact with connector



DIN
Subracks

Keys are used for keying plug-in assemblies such as front panels and prevents them from being used in incorrect slots. These keys are installed into the front chambers of VectorPak™ CG3-160 or CG3-220 card guides and matched with an offsetting key inserted into type IV injector/ejector handles. By keying upper and lower card guides, over 4,000 combinations are possible. Available in packs of 25 in red or grey (RAL 7032).

Part Number	Description	
CG3-80/12	Card Guide 80mm for rear I/O	Pk 12
CG3-80E/12	Same with ESD Clip	Pk 12
CG3-160/12	Card Guide Grey (RAL 7032) 160mm long	Pk 12
CG3-160R/12	Card Guide Red 160mm long	Pk 12
CG3-160E/12	Card Guide 160mm long - ESD clip	Pk 12
CG3-220/12	Card Guide 220mm long	Pk 12
CG3-220E/12	Card Guide 220mm long - ESD clip	Pk 12
CG3-ESD/12	Universal ESD clip (if ordered separately) can be used on CG3-80, 160, 220 card guides	Pk 12
CG3-K01/25	Grey Keys (RAL 7032)	Pk 25
CG3-K02/25	Red Keys	Pk 25



P/N CG3-80 Card Guide
80mm rear I/O card guides are designed for use with our standard CG3-ESD clips and are fully keyable. Comes with self-tapping screw for attachment to horizontal rail.

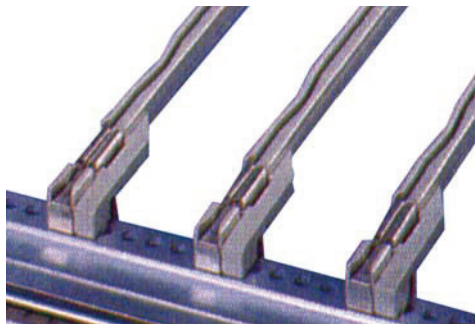
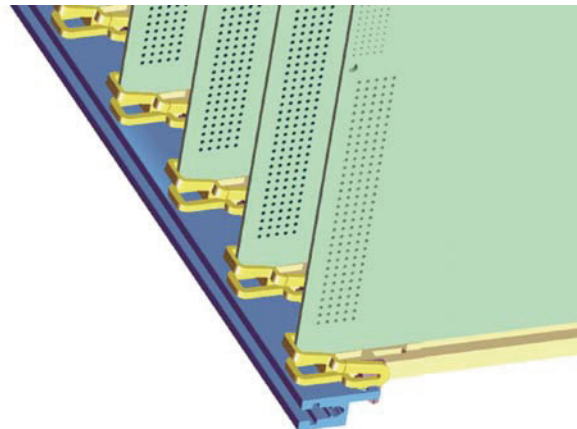
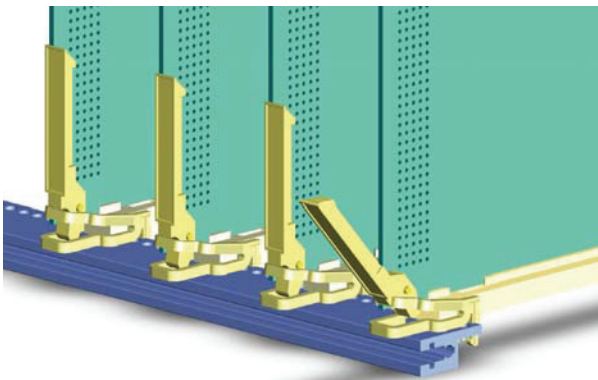


Accessories

**PCB Retainers and Ejector Levers
For Use Without Front Panels**

VectorPak™ non-keyed card guides are designed for use with card retainers when front panels are not used. Optional levers attach onto .062" thick cards and release when pulled. Retainers are secured beneath the snap-in card guides and may be used without levers. For use with VectorPak™ CCA26 through CCA32 series subracks. Custom lengths available (contact factory)

DIN
Subracks



- To secure and extract PCBs without front panels
- Optional card ejector levers fasten to 0.062" thick PCBs
- VectorPak™ non-keyed card guides (shown with optional ESD clips installed)

P/N.	Description
CG4-160/12	Card guides with retainers for 160mm cards, 12 non-keyed guides and 12 retainers
CG4-220/12	Card guides with retainers for 220mm cards, 12 non-keyed guides and 12 retainers
CG3-160S/12	Card guides only, non-keyed type, pack of 12
CG4-ESD	ESD clips for CG3-160S non-keyed card guides, pack of 12 (ESD clips cannot be used with CG4 retainers)
CG4-RET/12	Card guide retainers for use with non-keyed guides only
CG4-LEJ/12	Ejector pull-type lever for retainers, pack of 12 (can be used as lever/pull with all VectorPak™ subracks)

